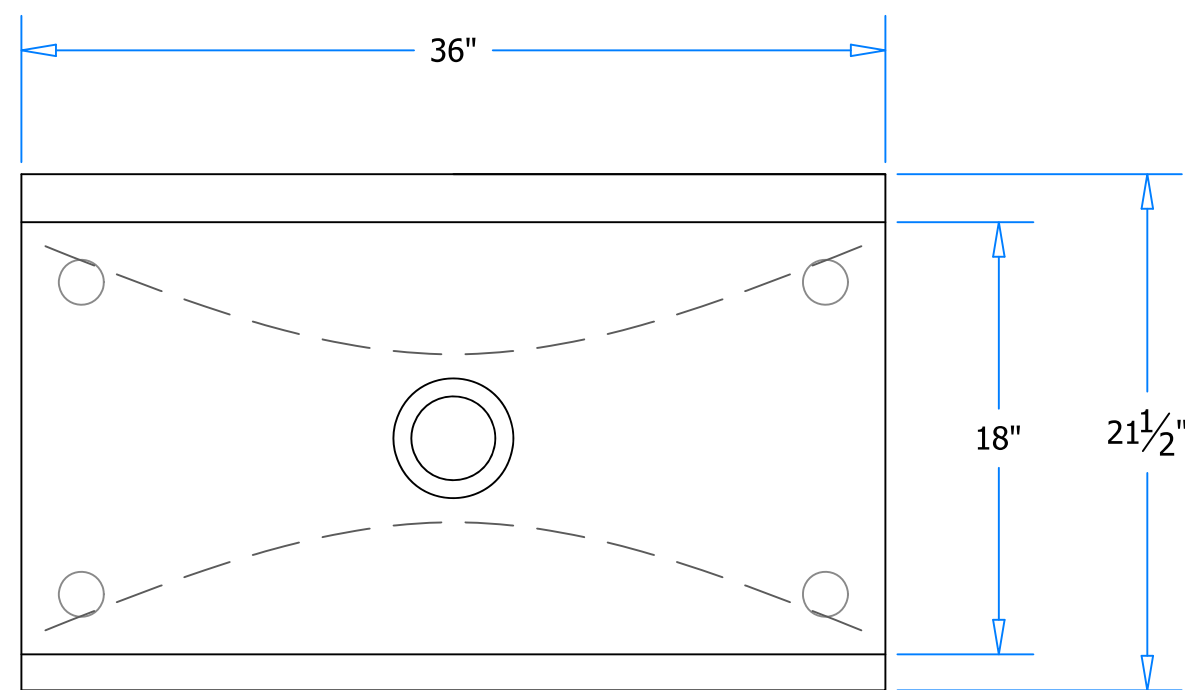
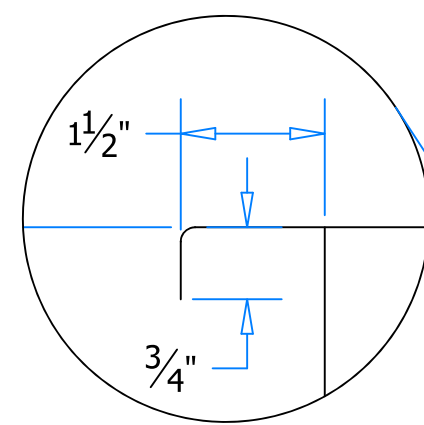


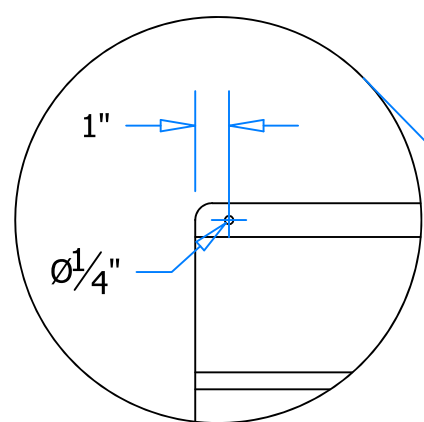
COVID-19 Emergency Response Jobsite Hand Wash & Decontamination Sink



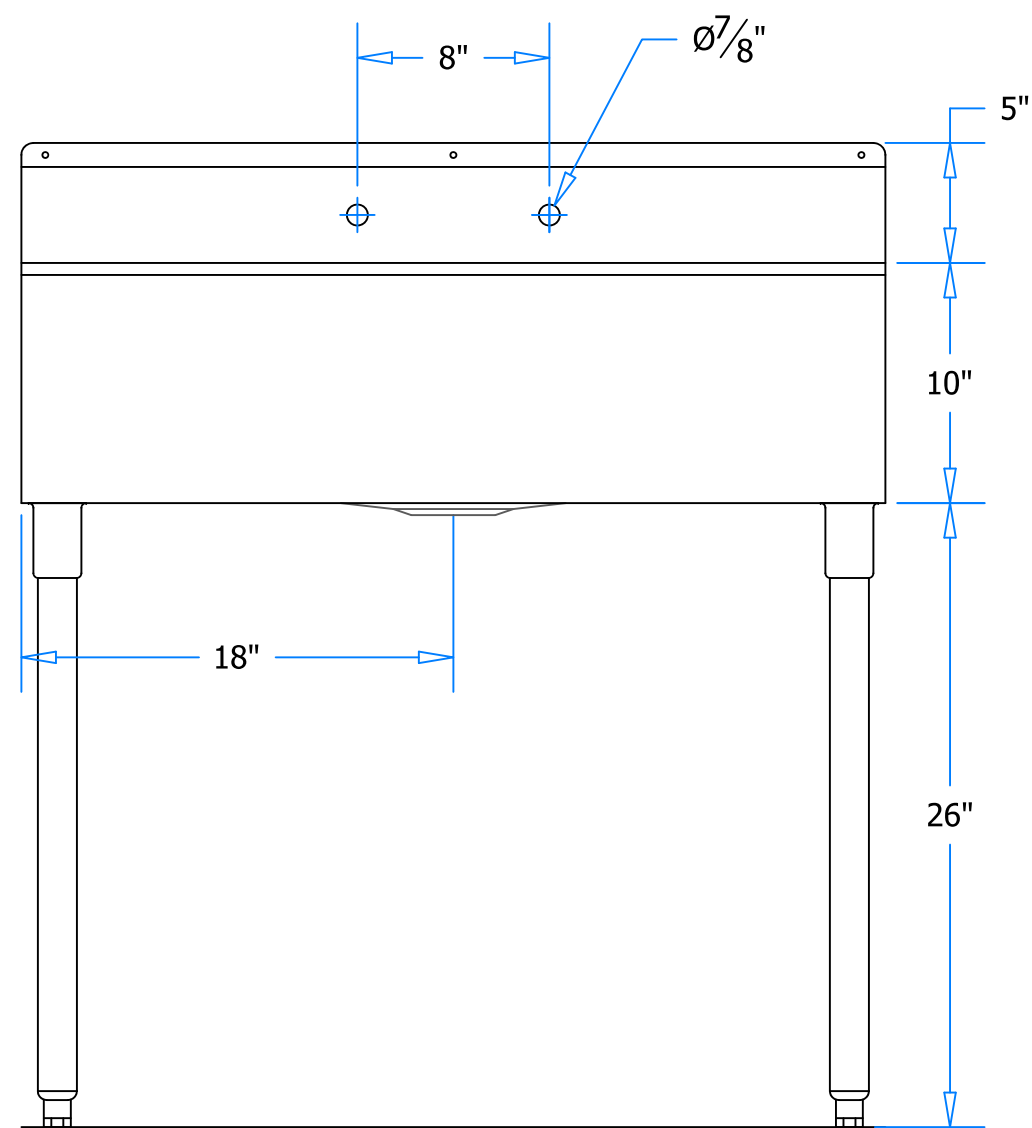
PLAN VIEW
SCALE 1-1/2"=1'0"



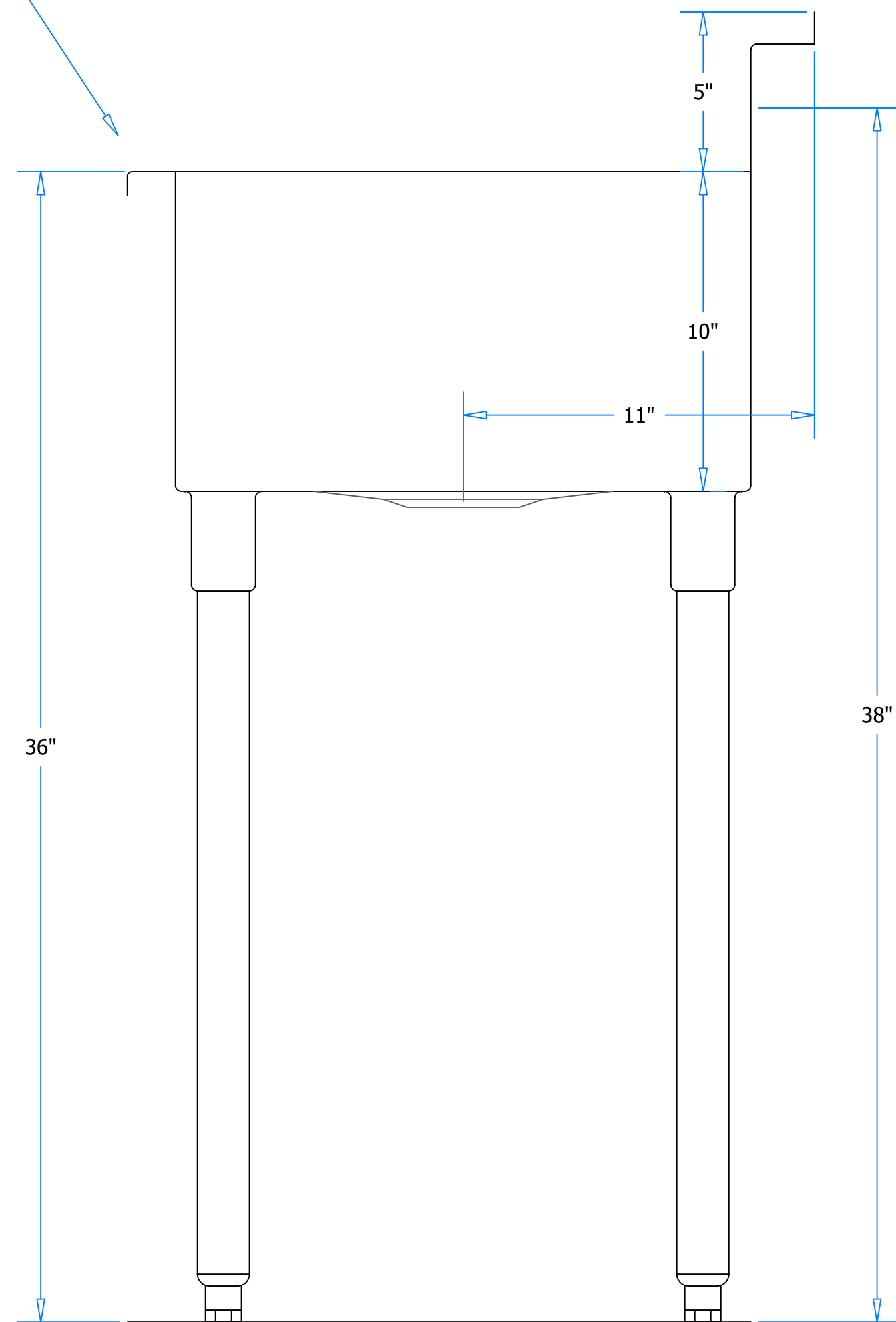
RIM DETAIL
SCALE 1"=2"



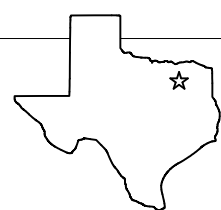
SPLASH DETAIL
SCALE 1"=1"



FRONT ELEVATION
SCALE 1-1/2"=1'0"



END VIEW
SCALE 3"=1'0"



MADE IN TX, USA

REV	DESCRIPTION	DATE	APPROVED
REVISION HISTORY			

griffin
PRODUCTS INC.
1381 Crampton Street
Dallas, Texas 75207
(800)379-9709 / Fax: (903) 873-6389
www.gpsink.com

PART NUMBER	PH.198.128	TITLE	COVID-19 EMERGENCY DECON & HAND WASH
PRODUCT CATEGORY / FAMILY	COMPARTMENT SINKS / PHOENIX	DESCRIPTION	PHOENIX 1-COMP 36" X 18" X 10 DEEP SINK 2FH 8OC
THE INFORMATION CONTAINED IN THIS DRAWING IS THE SOLE PROPERTY OF GRIFFIN PRODUCTS, INC. ANY REPRODUCTION IN PART OR AS A WHOLE WITHOUT THE WRITTEN PERMISSION FROM GRIFFIN PRODUCTS, INC. IS PROHIBITED.		MATERIAL	16GA (0.06 in) 304 STAINLESS STEEL
DRW. BY / DATE	SG / 04/09/2020	APPROVED BY / DATE	
		REV.	SCALE
		Varies	1 / 1