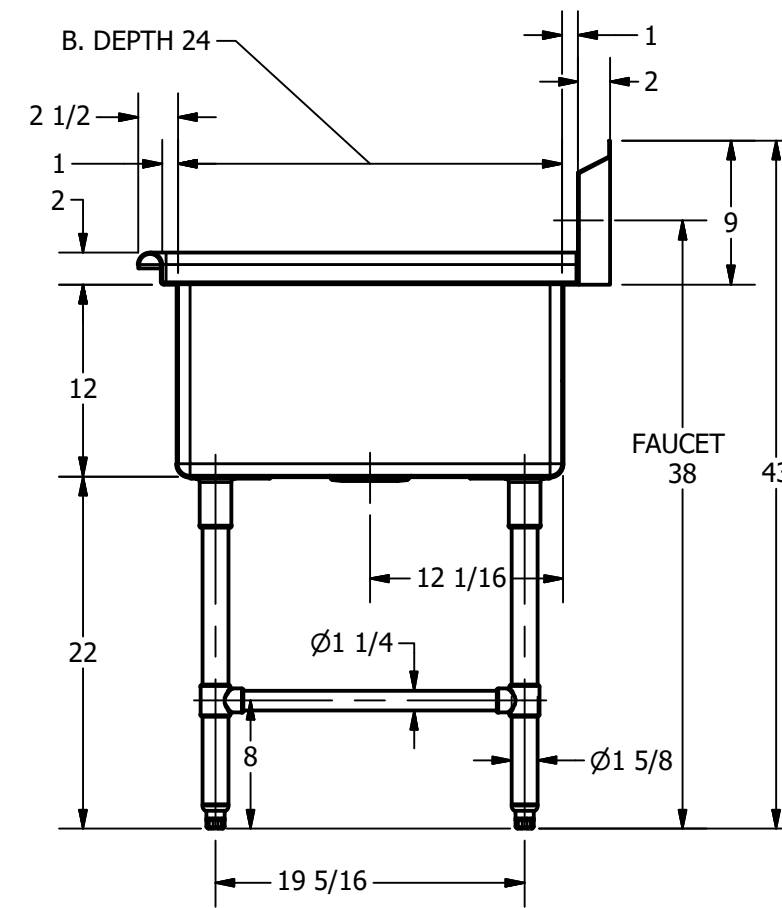


SECTION A-A
SCALE 1 / 12



SECTION B-B
SCALE 1 / 12

| REV | DESCRIPTION | DATE | APPROVED |
|------------------|-------------|----------|----------|
| A | | 12/05/17 | |
| REVISION HISTORY | | | |



| | | | |
|---|---------------|--------------------|---|
| PART NUMBER | 384.08 | TITLE | PECOS SERIES SCULLERY SINK |
| PRODUCT CATEGORY | SCULLERY SINK | DESCRIPTION | 16 GA 3 COMPARTMENTS SINK WITH RIGHT DRAINBOARD |
| THE INFORMATION CONTAINED IN THIS DRAWING IS THE SOLE PROPERTY OF GRIFFIN PRODUCTS, INC. ANY REPRODUCTION IN PART OR AS A WHOLE WITHOUT THE WRITTEN PERMISSION FROM GRIFFIN PRODUCTS, INC. IS PROHIBITED. | | MATERIAL | 16 GA (0.060 in) 304 STAINLESS STEEL |
| DRW. BY / DATE | DNZ 2.12.2017 | APPROVED BY / DATE | |
| | | REV. | SCALE |
| | | 1 / 12 | C 1 / 1 |