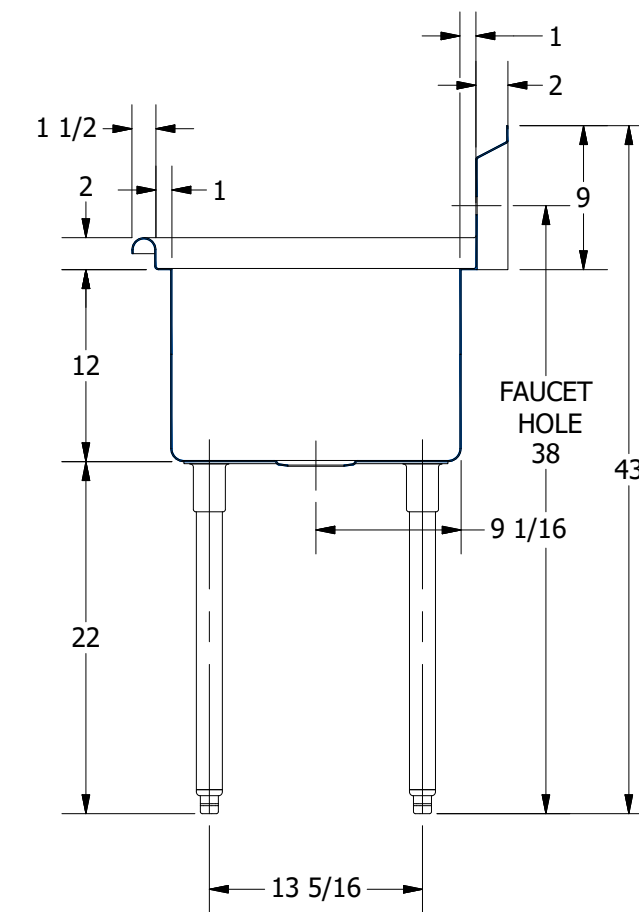


SECTION A-A  
SCALE 1:12



SECTION B-B  
SCALE 1:12

| REV              | DESCRIPTION | DATE | APPROVED |
|------------------|-------------|------|----------|
| REVISION HISTORY |             |      |          |



|   |               |                    |   |       |            |
|---|---------------|--------------------|---|-------|------------|
| PART NUMBER   | <b>288.88</b> | TITLE              | SABINE SERIES SCULLERY SINK                   |       |            |
| PRODUCT CATEGORY  | SCULLERY SINK | DESCRIPTION        | 16GA 2 COMPARTMENTS SINK WITH L&R DRAINBOARDS |       |            |
| THE INFORMATION CONTAINED IN THIS DRAWING IS THE SOLE PROPERTY OF GRIFFIN PRODUCTS, INC. ANY REPRODUCTION IN PART OR AS A WHOLE WITHOUT THE WRITTEN PERMISSION FROM GRIFFIN PRODUCTS, INC. IS PROHIBITED. |               | MATERIAL           | 16GA (0.06 in) 304 STAINLESS STEEL            |       |            |
| DRW. BY / DATE  | DNZ 01/24/18  | APPROVED BY / DATE | REV.  | SCALE | SIZE SHEET |
|   |               |                    |   | 1:12  | C 1 / 1    |