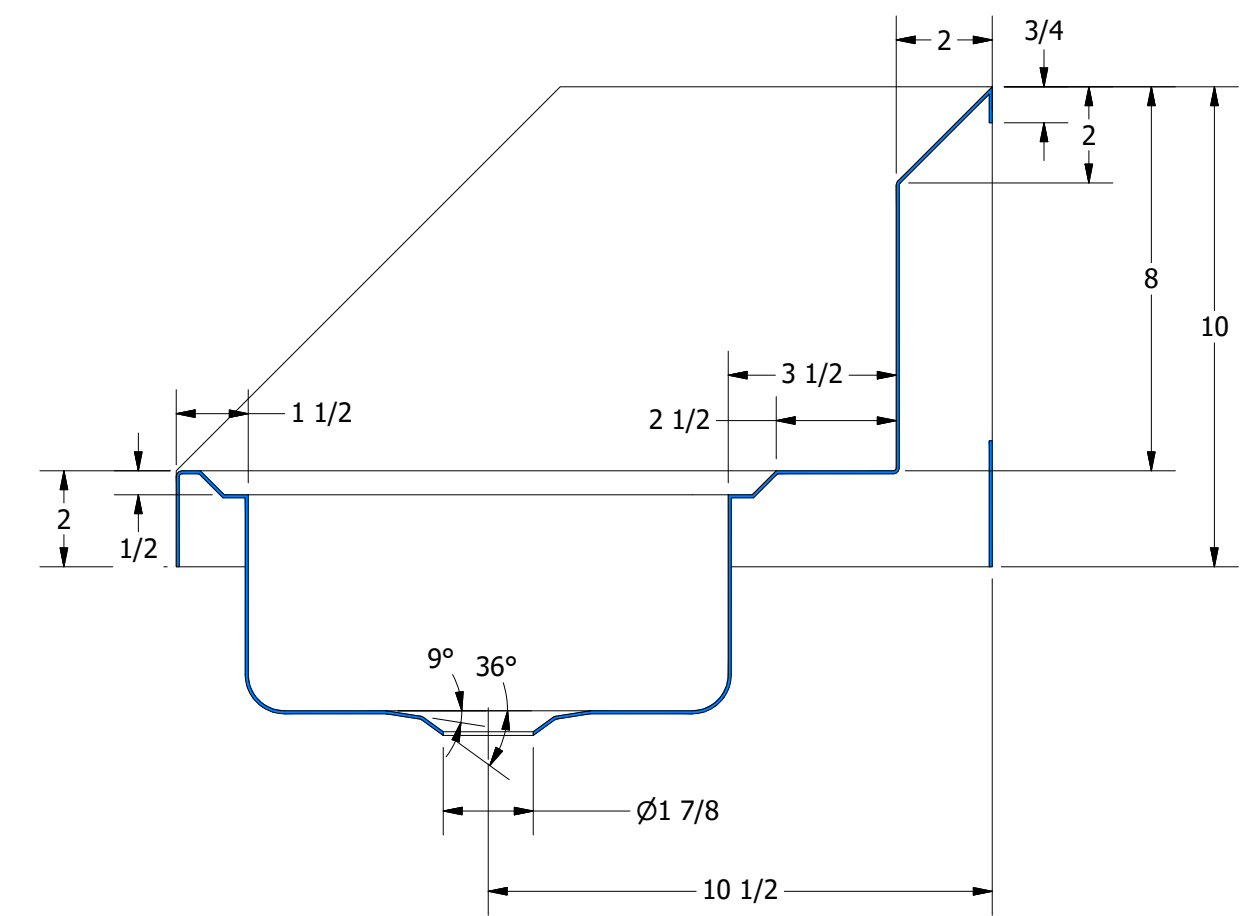
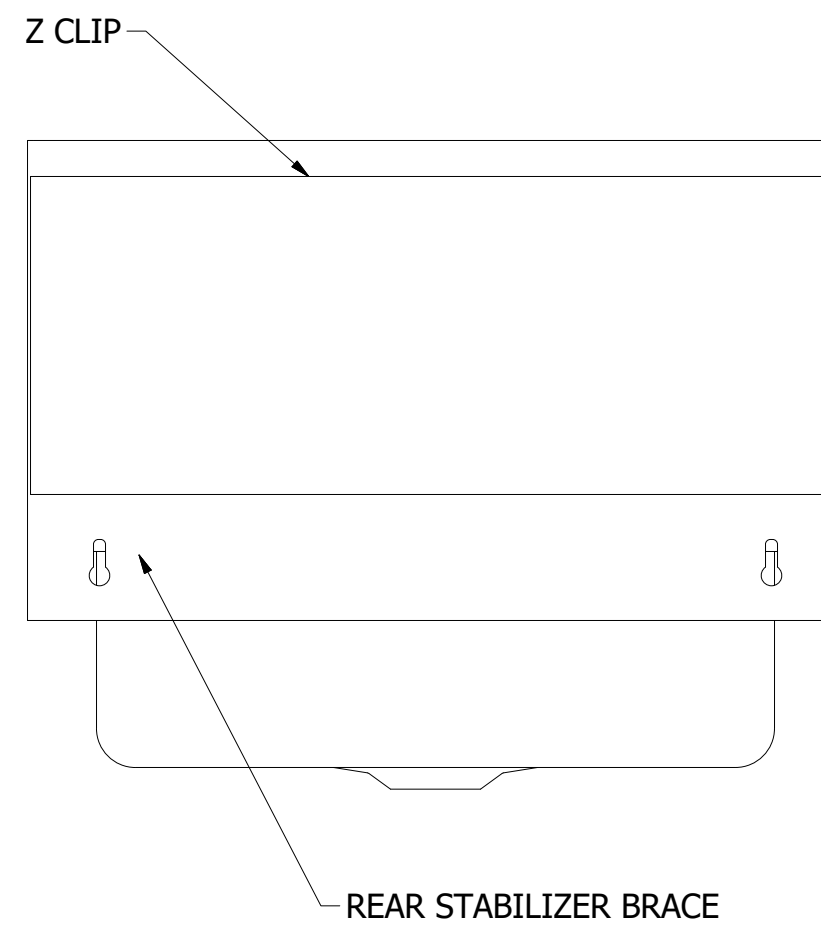


SECTION A-A  
SCALE 1 / 4



SECTION B-B  
SCALE 1 / 4

REV	DESCRIPTION	DATE	APPROVED
REVISION HISTORY			



PART NUMBER	<b>CM.30.224D</b>	TITLE	COMAL HANDSINK		
PRODUCT CATEGORY	HANDWASH SINK	DESCRIPTION	20GA. SINK W. DECK MOUNTED FAUCET, LEFT END SPLASH		
THE INFORMATION CONTAINED IN THIS DRAWING IS THE SOLE PROPERTY OF GRIFFIN PRODUCTS, INC. ANY REPRODUCTION IN PART OR AS A WHOLE WITHOUT THE WRITTEN PERMISSION FROM GRIFFIN PRODUCTS, INC. IS PROHIBITED.		MATERIAL	ALL DIMENSIONS ARE IN X INCHES		
DRW. BY / DATE	DNZ 01/24/18	APPROVED BY / DATE	REV.	SCALE	SIZE SHEET
				1 / 4	C 1 / 1